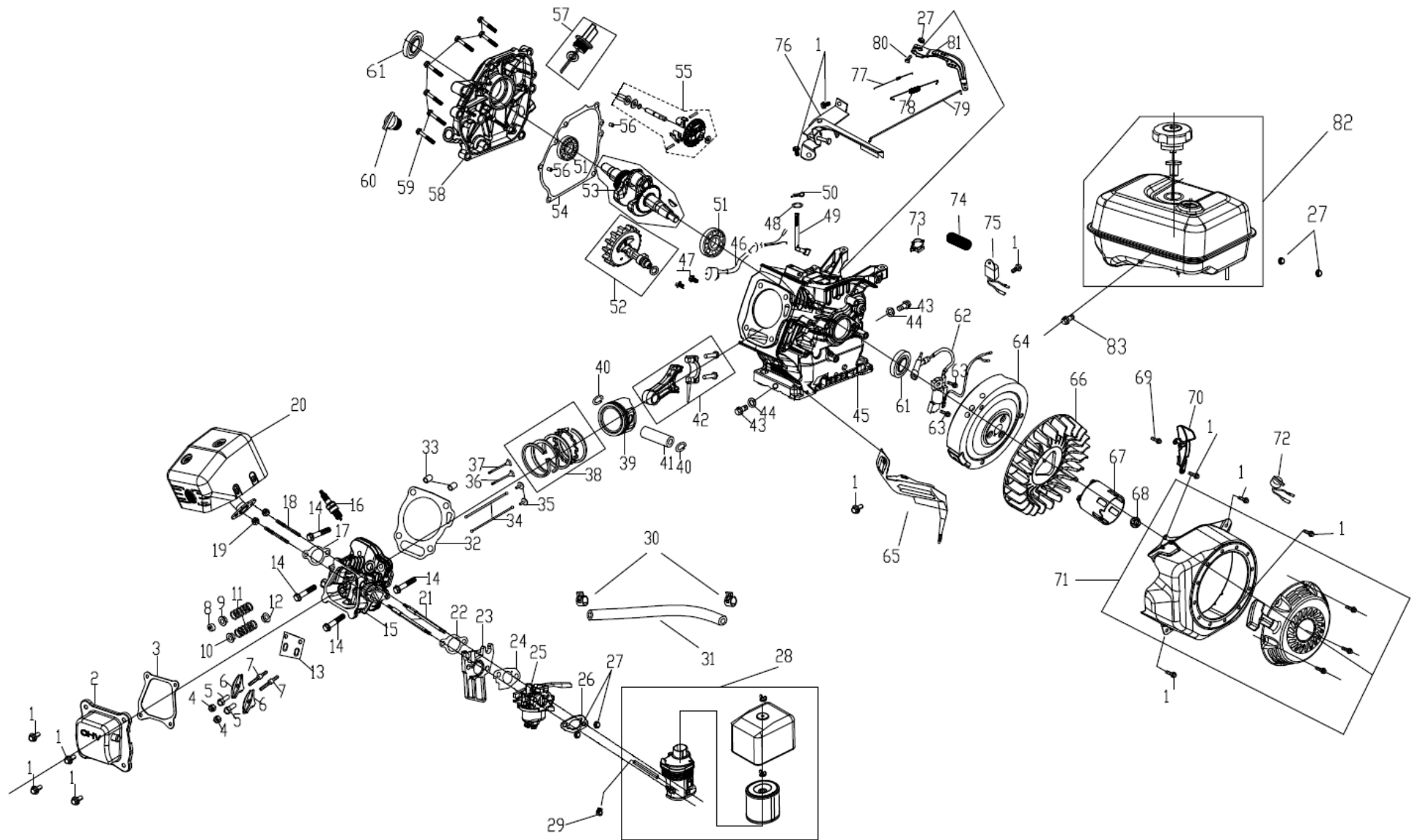




Explozie piese de schimb

Motopompa pentru apa semicurata

**BTA-MP50**



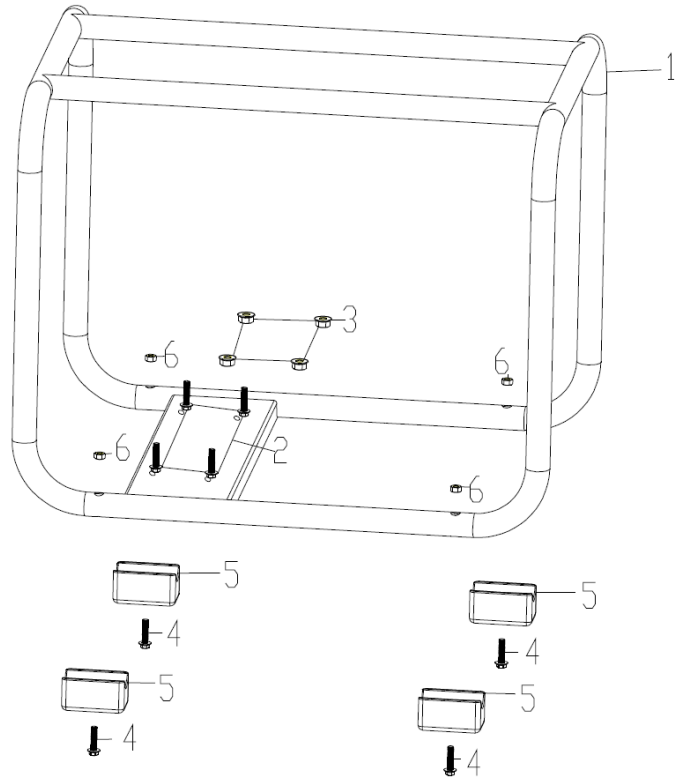
NO.	Part NO.	Description	QTY		
		English			N.W. (kg) /PC
1	30101-00070-00	BOLT,M6×12		13	0.00542
2	20021-00006-00	COVER COMP.HEAD		1	0.20412
3	33048-00070-00	GASKET,HEAD COVER		1	0.00688
4	30121-00034-00	NUT,VALVE ADJUSTING		2	0.00225
5	30134-00005-00	ROCKER SHAFT		2	0.01540
6	34019-00003-00	ROCKER ARM		2	0.01699
7	30110-00032-00	BOLT VALVE		2	0.01474
8	33141-00021-00	ROTATOR,VALVE		1	0.00164
9	34016-00006-00	RETAINER,VALVE SPRING		1	0.00615
10	34016-00003-00	RETAINER,VALVE SPRING		1	0.00618
11	34015-00003-00	SPRING,VALVE		2	0.00551
12	34018-00002-00	OIL SHIELD		1	0.00203
13	34017-00009-00	PLATE,PUSH ROD GUIDE		1	0.01198
14	30101-00468-00	BOLT,M8×60		4	0.02848
15	20023-00006-00	CYLINDER HEAD COMP		1	0.83105

16	20027-00010-00	<b>SPARK PLUG</b>		1	<b>0.05713</b>
17	33048-00099-00	<b>WASHER, MUFFLER</b>		1	<b>0.00327</b>
18	30110-00027-00	<b>BOLT,STUD, EXHAUST</b>		2	<b>0.01101</b>
19	30121-00040-00	<b>NUT M8</b>		2	<b>0.00489</b>
20	20202-00022-00	<b>MUFFLER ASSY</b>		1	<b>0.97451</b>
21	30110-00017-00	<b>BOLT,STUD, INTAKE</b>		2	<b>0.02198</b>
22	33048-00051-00	<b>GASKET, INLET</b>		1	<b>0.00053</b>
23	34012-00004-00	<b>INSULATOR, CARBURETOR</b>		1	<b>0.02385</b>
24	33048-00076-00	<b>INSULATOR, CARBURETOR</b>		1	<b>0.00081</b>
25	20024-00047-00	<b>CARBURETOR</b>		1	<b>0.24298</b>
26	33048-00045-00	<b>GASKET, AIR FILTER</b>		1	<b>0.01686</b>
27	30125-00002-00	<b>NUT, FLANGE</b>		2	<b>0.00304</b>
28	20025-00014-00	<b>AIR CLEANER ASSY</b>		1	<b>0.36064</b>
29	34024-00003-00	<b>CLIP, TUBE</b>		1	<b>0.00200</b>
30	34024-00002-00	<b>CLIP</b>		1	<b>0.00101</b>
31	34023-00004-00	<b>FUEL PIPE</b>		0.165	<b>0.01093</b>
32	33048-00299-00	<b>GASKET, CYLINDER</b>		1	<b>0.00736</b>
33	34006-00009-00	<b>DOWEL PIN</b>		2	<b>0.00265</b>

34	34020-00013-00	<b>PUSH ROD</b>		2	<b>0.01316</b>
35	34008-00004-00	<b>LIFTER,VALVE</b>		2	<b>0.01948</b>
36	34013-00008-00	<b>VALVE, INTAKE</b>		1	<b>0.02138</b>
37	34013-00027-00	<b>VALVE,EXHAUST</b>		1	<b>0.02145</b>
38	20084-00006-00	<b>RING SET,PISTON</b>		1	<b>0.01715</b>
39	34004-00009-00	<b>PISTON</b>		1	<b>0.14271</b>
40	30150-00022-00	<b>CLIP,PISTON PIN</b>		2	<b>0.00032</b>
41	34006-00013-00	<b>PIN,PISTON</b>		1	<b>0.04361</b>
42	20008-00005-00	<b>CONNECTING ROD ASSY</b>		1	<b>0.13785</b>
43	30101-00487-00	<b>BOLT, M10×15</b>		2	<b>0.01380</b>
44	30136-00078-00	<b>WASHER</b>		2	<b>0.00045</b>
45	34011-00009-00	<b>CRANKCASE</b>		1	<b>2.60412</b>
46	33247-00005-00	<b>ENGINE OIL SENSOR</b>		1	<b>0.04306</b>
47	30101-00342-00	<b>BOLT,M6×16</b>		2	<b>0.00583</b>
48	30136-00092-00	<b>WASHER</b>		1	<b>0.00068</b>
49	34026-00003-00	<b>SHAFT,GOVERNOR</b>		1	<b>0.01810</b>
50	34006-00016-00	<b>PIN, LOCK</b>		1	<b>0.00053</b>

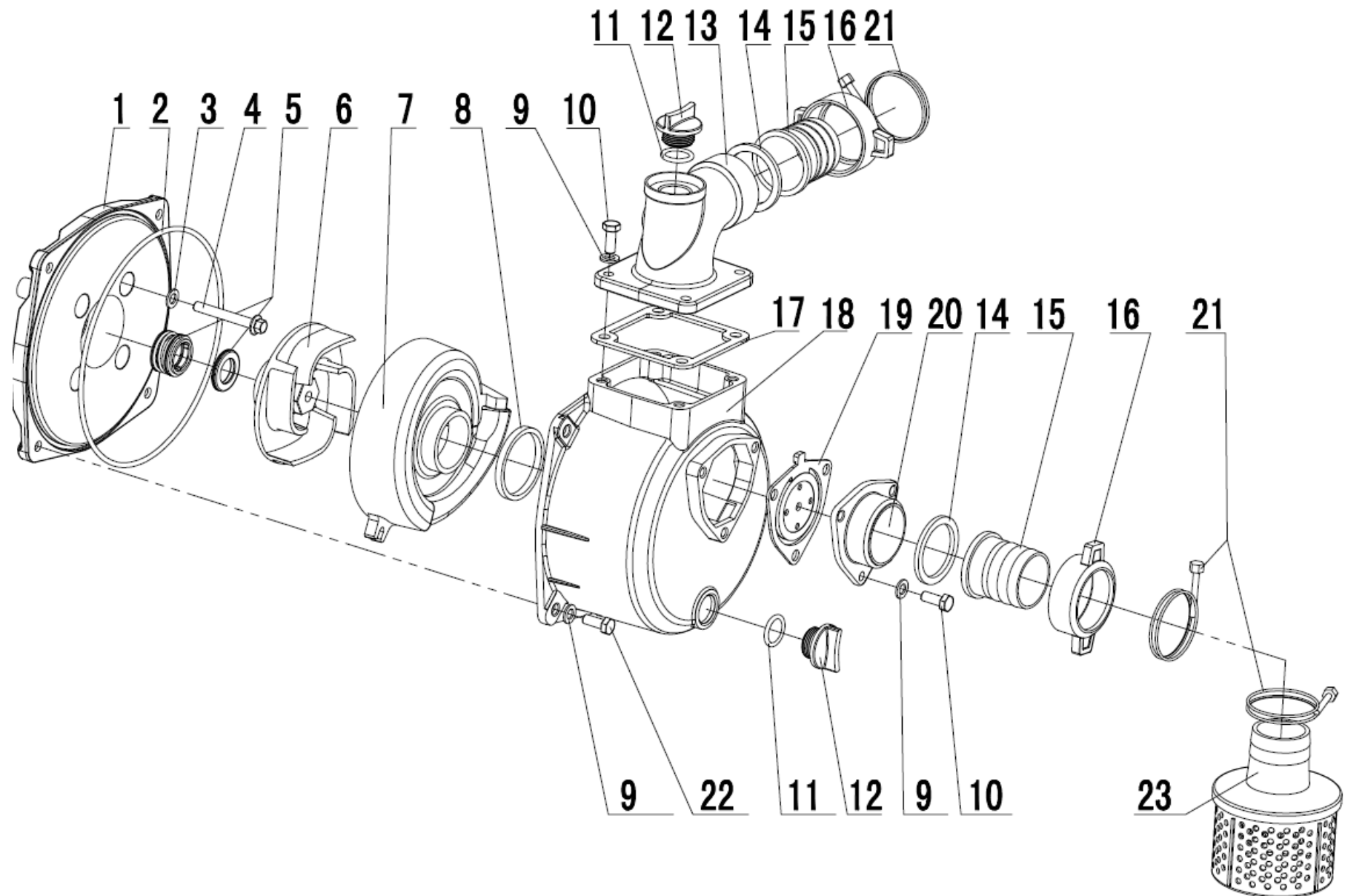
51	30141-00120-00	<b>BEARING</b>		2	<b>0.12598</b>
52	20012-00008-00	<b>CAMSHAFT,ASSY</b>		1	<b>0.44685</b>
53	20011-00179-00	<b>CRANKSHAFT ASSY</b>		1	<b>1.70125</b>
54	33048-00061-00	<b>GASKET, CRANKCASECOVER</b>		1	<b>0.00432</b>
55	20013-00008-00	<b>GOVERNOR GEAR KIT</b>		1	<b>0.02843</b>
56	34006-00001-00	<b>DOWEL PIN</b>		2	<b>0.00185</b>
57	20026-00001-00	<b>DIPSTICK ASSY</b>		1	<b>0.00812</b>
58	33129-00026-00	<b>CRANKCASE COVER</b>		1	<b>0.54615</b>
59	30101-00461-00	<b>BOLT,M8×32</b>		6	<b>0.01657</b>
60	20026-00016-00	<b>OIL CAP ASSY</b>		1	<b>0.00746</b>
61	34007-00003-00	<b>OIL SEAL</b>		2	<b>0.00882</b>
62	20028-00024-00	<b>WIRE,ENGINE SWITCH</b>		1	<b>0.23051</b>
63	30101-00408-00	<b>BOLT,FLANGE</b>		2	<b>0.00771</b>
64	33099-00040-00	<b>FLYWHEEL COMP</b>		1	<b>2.51312</b>
65	34021-00007-00	<b>SIDE SHELL</b>		1	<b>0.05061</b>
66	33155-00040-00	<b>FAN COOLING</b>		1	<b>0.10223</b>
67	34022-00030-00	<b>PULLEY,STARTER</b>		1	<b>0.13101</b>

68	30125-00011-00	<b>NUT SPECIAL</b>		1	<b>0.02507</b>
69	30101-00042-00	<b>BOLT,FLANGE</b>		1	<b>0.00735</b>
70	34021-00006-00	<b>SIDE SHELL</b>		1	<b>0.05061</b>
71	20010-00017-04	<b>RECOIL STARTER COMP</b>		1	<b>1.03094</b>
72	31026-00057-00	<b>ENGINE SWITCH</b>		1	<b>0.01414</b>
73	34024-00013-00	<b>CLIP,NON-RETURN VALVE</b>		1	<b>0.00226</b>
74	40052-00021-00	<b>BELLOWS</b>		0.055	<b>0.00151</b>
75	33246-00002-00	<b>OIL ALARM</b>		1	<b>0.02331</b>
76	20022-00005-00	<b>SPEED CONTROL,ASSY</b>		1	<b>0.12344</b>
77	34015-00026-00	<b>SPRING,THROTTLE RETURN</b>		1	<b>0.00096</b>
78	34015-00015-00	<b>SPRING,CABLE RETURN</b>		1	<b>0.00189</b>
79	34026-00007-00	<b>ROD,GOVERNOR</b>		1	<b>0.00372</b>
80	/	<b>BOLT</b>		1	<b>0.00542</b>
81	34025-00003-00	<b>HANDLE,SPEED CONTROL</b>		1	<b>0.03452</b>
82	20130-00011-02	<b>FUEL TANK ASSY</b>		1	<b>1.37544</b>
83	30101-00530-00	<b>BOLT,FLANGE</b>		2	<b>0.00915</b>

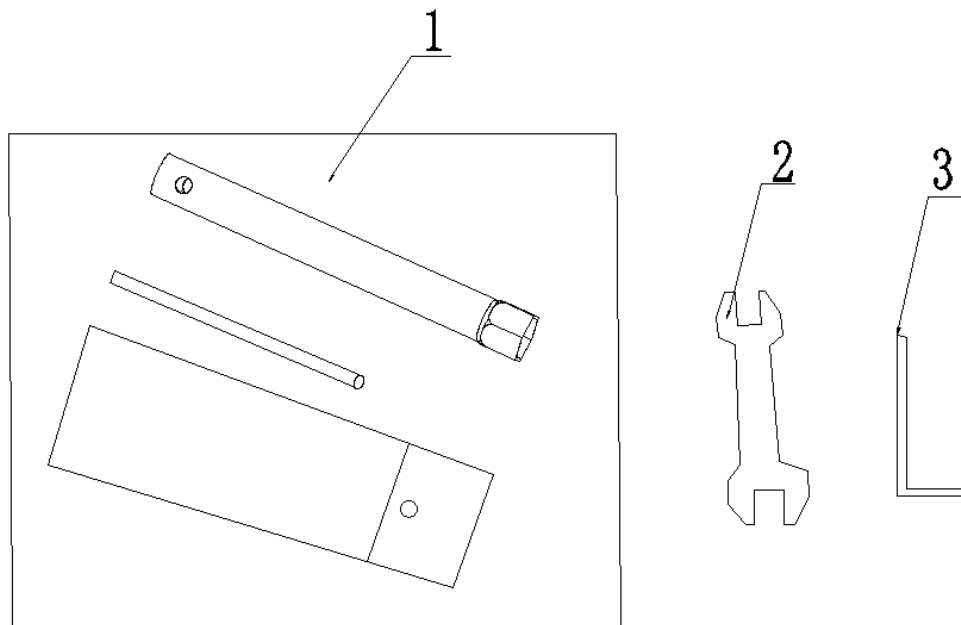


		Description	QTY		
NO.	Part NO.	English	Price (USD)		N.W. (kg) /PC
1	20090-00022-00	FRAME ASSY		1	
2	30101-00461-00	BOLT		4	
3	30125-00003-00	NUT		4	
4	30114-00019-00	BOLT		4	
5	34030-00066-00	VIBRATION DAMPING PADS		4	
6	30128-00011-00	NYLON NUT		4	





NO.	Part NO.	Description		QTY		
		English	Price (USD)			N.W. (kg) /PC
1	70010-00243-00	SEAT ASSY		1		
2	30152-00058-00	O-SEAL RING		1		
3	30136-00135-00	ALUMINIUM FLAT WASHER		4		
4	30101-00468-00	BOLT		4		
5	70010-00109-00	MECHANICAL SEAL		1		
6	70010-00001-00	IMPELLER ASSY		1		
7	34037-00025-00	VOLUTE ASSY		1		
8	30152-00068-00	O-SEAL RING		1		
9	30136-00122-00	FLAT WASHER		11		
10	30101-00362-00	BOLT		7		
11	30152-00122-00	O-SEAL RING		2		
12	70010-00238-00	SCREW PLUG		2		
13	70010-00102-00	WATER OUTLET		1		
14	33275-00013-00	WRENCH PRESSURE CAP GASKET		2		
15	70010-00394-00	TRANSFER PIPE COUPLER		2		
16	70003-00848-00	WRENCH PRESSURE CAP		2		
17	33048-00085-00	WATER OUTLET SEAL WASHER		1		
18	39999-00011-00	PUMP CASE		1		
19	70010-00002-00	CHECK VALVE		1		
20	70010-00104-00	WATER INLET		1		
21	34024-00040-00	HOOP		3		
22	70010-00483-00	BOLT		7		
23	34037-00009-00	WATER INLET FILTER CONNECTOR		1		



NO.	Part NO.	Description	QTY		
		English		SC11000E-III	N.W. (kg) /PC
1	70009-00313-00	KIT/EXTENSION BAR $\Phi$ 7*131 WHITE ZINC/SPARK PLUG SLEEVE M21*180 WHITE ZINC/WORK BAG 215*80	1		
2	70003-00909-00	OPEN WRENCH	1		
3	70003-00858-00	SOCKET HEAD WRENCH	1		